



Overview

DAYOU NETWORKS DSW2724G-PH11 is high performance managed 24-port PoE(Power over Ethernet) Ethernet switch. This device makes centralized power supply come true and provides up to 30W watts to power device. DAYOU PoE device can be used to Power IEEE 802.3af and 802.3at compliant powered device(PD) by Ethernet cable and to deliver both data and power to the IP device, such as IP telephones, wireless Access Point and security Cameras without the additional burden of power equipment for the availability of the network to increasing.

DSW2724G-PH11 is 24port 10/100/1000base-T (RJ-45) PoE ports and four 100/1000Base-X (SFP) ports and Non-Blocking Switching Fabric Structure on all ports, supports Wire-Speed . Also supports multicasting, QoS capabilities, enhanced security features and so on.



DSW2724G-PH11

PoE(Power over Ethernet) Support

L2 Switch sub-stage of the configuration that can cope with the power to IEEE 802.3af, 802.3at PoE (Power over Ethernet) feature is supported by a new idea and can react more flexibly.

Network systems management

SNMP v1/v2, MIB II, RMON MIB, and applied to the remote network management can be more easily. CLI commands, such as organized through the USB port and OS (firmware) upgrade available on the system configuration.

Improved performance

Non-blocking Switching fabric for high performance stable and 56Gbps switching capacity and up to speed packet processing 41.6Mpps support.

Key Features

L2 Features

- Port-based VLAN, IEEE 802.1q Tagged VLAN
- VLAN Trunk. VLAN stacking (Q-in-Q). VLAN Translation
- 802.1p packet priority
- Spanning Tree Protocol(STP/RSTP/MSTP)
- 802.3ad Link Aggregation Control Protocol
- Static Trunk group
- Jumbo frame 9KB
- Self loop detection

Multicast

- IGMP v1/v2
- IGMP snooping / IGMP static join / IGMP Join Limit
- Multicast Packet Filtering

QoS

- Classification
 - L2 : SRC/DST MAC, Ether type, 802.1p priority, VLAN ID
 - L3 : SRC/DST IP, ToS, DSCP, IP Precedence
 - L4 : SRC/DST TCP/UDP port, ICMP
- Mark/remark/policing
- Queue scheduling (SPQ, WRR, DRR)
- 8 queues per port
- Congestion management (RED)
- Traffic policing and shaping
- Rate limiting
- Traffic Control

Security

- MAC flood Guard/Port Flood Guard
- MAC Filtering / MAC limit
- Storm control (broadcast, multicast, DLF)
- CPU Protection (ACL, Rate Limit)
- DoS Protection
- NetBIOS, NetBEUI, NBT, CIFS, SSDP, WSDD filtering
- ARP/DHCP snooping , ARP Inspection
- 801.x Port-Based Authentication
- Port isolation

Management

- CLI(Serial / Telnet)
- Dual OS (active/backup) & Fail Over
- Remote OS upgrade (FTP/ TFTP)
- Multiple configuration files
- Remote configuration upgrade (FTP/TFTP)
- Port/Protocol mirroring
- SNMP v1/v2
- RMON history
- Syslog
- Telnet/SSH
- DHCP server, relay agent with option82
- DDM (Digital Diagnostics Monitoring)
- LLDP (Link layer Discovery Protocol)
- AAA (Authentication, Authorization, and Accounting)
- NTP
- TCP dump & logging

PoE

- 802.3af, Class 0 ~ 3 (0.5W ~ 15.4W)
- 802.3at, Class 4 (15.4W ~ 30.0W)
- Power Management (Static/Dynamic Port Priority)
- Power scheduling
- PD Class Detection

DAYOU NETWORKS SWITCH SERIES

Specifications

Memory

- RAM 128Mbyte
- FLASH 128Mbyte

Interface

- Downlink 24ports 10/100/1000Base-TX(PoE Port)
- Uplink 4ports 100Base-Fx/1000Base-X(SFP)
- Console RS-232C(RJ-45)

Performance

- 56Gbps Switching fabric, 41.6Mpps Throughput
- 16K MAC address,
- 4K 802.1Q VLAN
- 1K Multicast group entry

Power

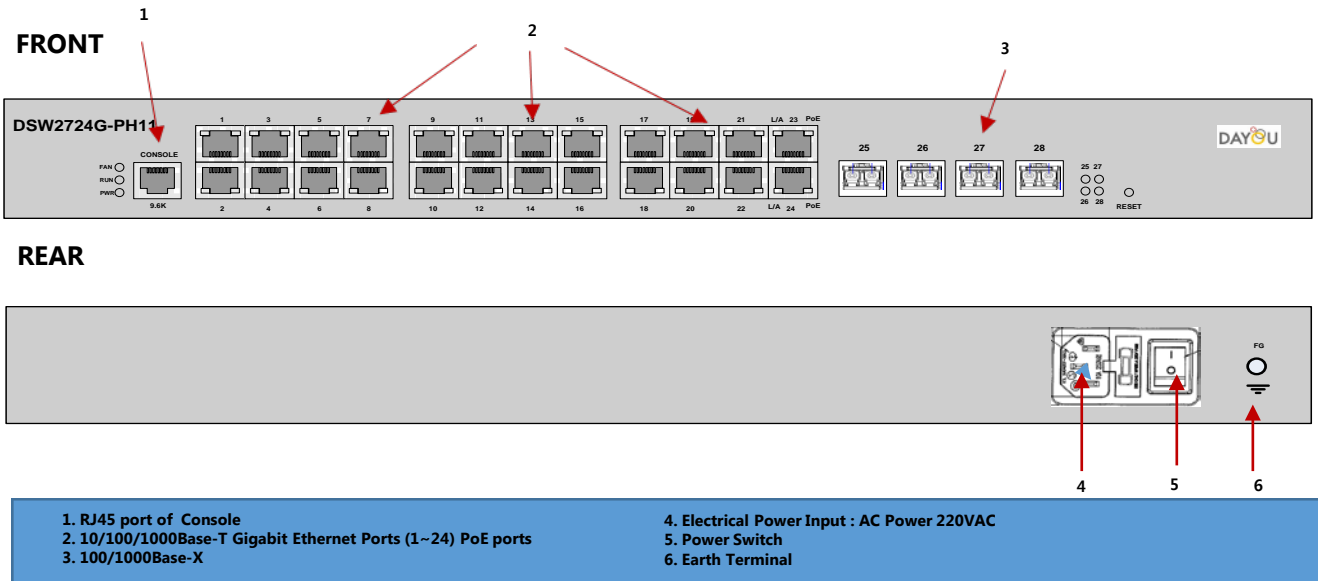
- Operating Power AC220V
- Power Consumption 230Watts
- Power Output (PoE) 190 Watts at 53V (Total)
15.4/30.0 Watts (per Port)
- Operating Temperature -20℃ ~60℃ (-4 °F ~ 140 °F)
- Operating Humidity 10 ~ 90%(Non-condensing)

Dimensions

- Dimension(W/H/D) 440mm x 45mm x 380mm
- Weight 5.5Kg

Warranty

- One-year(12month) return to factory parts



Ordering Information

Contact Information

Website: <http://www.dayounetworks.com>
 E-mail : sales@dayounetworks.com

DAYOU NETWORKS

4F, 500-2, Sangdaewon-dong, Junwon-gu, Seognam-si,
 Gyeonggi-do, Korea (462-120)
 Tel : +82-31-737-7000 / FAX:+82-31-737-7100